

Surgical Lighting



ISOLUX



T: 1300 106 003

Dir: 07 3117 9539

E: sales@hmsmedical.com.au

HMS Medical

Specialising in Patient Care

www.hmsmedical.com.au



1300 XSB Xenon Super Bright



Xenon Fiber Optic Light Source

The IsoLux Fiber Optic Light Source uses a 300-Watt Lamp that enables the illuminator to achieve a high intensity daylight (natural light) output. The IsoLux Model 1300 XSB (multiport) and SP (single port) is intended to be used with fiber optic headlamps and light guides as well as for observation of body cavities, hollow organs and other surgical sites. The turret is compatible with ACMI, Olympus, Storz and Wolf type fiber optic cables and light guides.

An incorporated graduated shutter allows for control from 0 to up to 100%.

The surgical light system automatically attains full 300 watt illumination output with a stable color temperature and natural daylight output.

Options include: Unit without Cart, Mobile Cart – Standard, Mobile Cart – With Storage Container.



LIGHT SOURCE SPECIFICATIONS

Illumination	500,000 LUX
Color Temperature	6,000 °K
Color Rendition Index	(CRI) 99% Typical
Input AC Range	100 to 240 VAC @ 50 to 60 Hz
Input Power	590 watts Typical
Dimming Range	0 - 100%
Operating Temperature	-10 to 40 °C
Storage Temperature	-10 to 70° C
Operating Humidity	20 to 75% non-condensing
UL Compliant	IEC 60601-1 Safety Tests
FDA Certification	FDA Compliant
Weight	14 lbs
Dimensions	5." H x 11" W x 12" D

IsoLux Warranty Information

Light Source: Five (5) Years
Bulb: 500 hours



Optilux Fiber Optic Light Source

The Optilux Fiber Optic LED Light Source is the next generation, brought to you by IsoLux, a leader in the field of medical LED illumination. The Optilux Light Source is a 125 watt LED solid state source of white light intended to be used with our fiber optic headlamp systems and can also be used for other non-medical applications demanding pure white light. The Optilux LED illuminator's lack of Ultraviolet (UV) radiation and Infrared radiation (IR) allows for additional uses in cases where UV and IR radiation is not permitted.

Our Optilux LED light source was developed to replace older technologies. Specifically, halogen and metal halide bulbs and their associated problems with changes in color temperature, due to intensity setting and age. It utilizes a single large LED chip, custom collection optics that brilliantly couple light into 3mm to 6mm fiber optic bundles, a heat sink and fan, linear intensity control, and an AC power supply.



LIGHT SOURCE SPECIFICATIONS

Illumination	130k LUX
Light Intensity	3,000 Lumens
LED Life	50,000 hours
Color Temperature	6,000 °K
Color Rendition Index	(CRI) 92 Typical
Input AC Range	100 to 240 VAC @ 50 to 60 Hz
Dimming Range	Electronic 10 to 1
Operating Temperature	-10 to 40 °C
Storage Temperature	-10 to 70° C
Operating Humidity	20 to 93 % non-condensing
UL Compliant	IEC 60601-1 Safety Tests
FDA Certification	FDA Complaint
Weight	9.0 lbs
Dimensions	5.75" H x 7" W x 11" D

IsoTorch Bifurcated Surgical Fiber Optic Headlight

The IsoTorch Bifurcated Surgical Fiber Optic Headlight can utilize the Oplitux LED Light Source or the 300w Xenon multi-port light source to provide a crisp and consistent spotlight. The IsoTorch Fiber optic headlight offers a light-weight solution for surgeons who prefer fiber optic light sources vs battery-powered headlight systems. Fiber optic headlight systems are lighter than most battery solutions and cause less strain on the surgeon during extended surgical cases. There are two light module options, 90° and 105° for optimum surgeon comfort.

The Best Fiber Optic Surgical Headlights Built in the USA

Each IsoTorch bifurcated surgical fiber optic headlight can be paired with a variety of light guide cable brands to offer the widest degree of compatibility to other systems. All Isolux IsoTorch headlamps are manufactured here in Florida to ISO 13485 specifications, FDA approved, and CE Mark certified to provide the best fiber optic surgical headlight available. Designed to be lightweight and versatile, the IsoTorch headlight maxes out at 9 oz to provide a comfortable fitting headlight that can last all day. It is ideal for any surgeon who prefers a fiber-optic surgical headlight instead of a battery-powered headlamp alternative.



The IsoTorch bifurcated surgical fiber optic headlight features the same sterilizable spot control joysticks as our battery-powered surgical headlight systems. Surgeons can control the location of the spotlight during surgery to reduce neck and eye strain. If you would like to Trial this headlamp call our office today and one of our representatives will be able to assist you.

Applications for the IsoTorch Bifurcated Surgical Fiber Optic Headlight

The IsoTorch bifurcated fiber optic headlight is designed to be a perfect partner in surgical procedure applications requiring greater medical illumination. Partnered with our 1300XSB 300w Surgical Xenon Light Source the output of the lamp end of the headlight can illuminate a surgical field with up to 7000° K of pure white light.

- IsoTorch Bifurcated Surgical Fiber Optic Headlight Features
- Feather Weight Head Set and Optics
- Fiber Optic Light Guide
- 10mm – 100mm variable Spot control
- Sterilizable Joysticks
- Surgical Loupe Compatible Headset

IsoTorch Bifurcated Surgical Fiber Optic Headlight Specifications

- Operating: 60°F (15°C) to 85°F (30°C)
- Storage: -13°F (-25°C) to 140°F (60°C)
- Adjustable Spot Diameter: 10mm – 100mm
- Sterilizable Joystick: Two (Qty 2) Included with purchase
- Optical Fiber Light Guide: Bifurcated
- Optical Alinement: 90° or 105°
- Requires: External Surgical Light Source
- Warranty: 5 years on Headlight / 2 years on fiber Optic cable



PORTABLE LED SURGICAL HEADLIGHTS

Superior Surgical Lighting

The Color Rendition Index (CRI) is a quantitative measure of a light's ability to reveal full spectrum colors and textures. Higher ratings indicate greater fidelity to the colors of tissues and skin and can reduce the time to diagnosis and treatment. Headlights with a high CRI are desirable in color-critical applications including OB/Gyn, Dermatology, Oral Maxillofacial Surgery, ENT, Neuro/Spine, and more.

Important Notes

- Headbands and headlight modules cannot be immersed in disinfecting liquids or sterilizers.
- Keep ends of cable clean by wiping with a damp cloth. Allow to dry before use.
- Clean the optics only with lens tissue available at any camera store. Follow the instructions on the package.
- To ensure long life for the headgear, cable and power source, store them in a cool dry environment.

**MADE
in the
USA**



Magnum

SPECIFICATIONS

Illumination	30, 45, 75k Variable Lux at 12"
Color Rendition Index (CRI)	70
Color Temperature	5,000 °K
Spot Size	10mm to 110mm
Operating Time	3.2 hrs at 100%
Recharge Time	3 hrs
Weight of Headlight	300 grams
Weight of Power Pack	350 grams
Headband	Dual Ratchet or Soft Velcro



IsoLED Plus+

SPECIFICATIONS

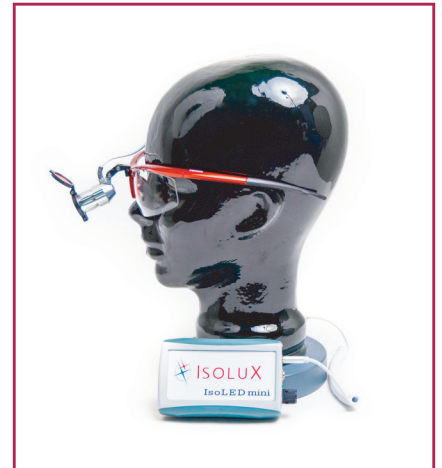
Illumination	45,000 Lux at 12"
Color Rendition Index (CRI)	92+
Color Temperature	4,000 °K
Spot Size	10mm to 110mm
Operating Time	4.25 hrs at 100%
Recharge Time	2.5 hrs
Weight of Headlight	290 grams
Weight of Power Pack	190 grams
Headband	Dual Ratchet or Soft Velcro



IsoLED II

SPECIFICATIONS

Illumination	25,000 Lux at 12"
Color Rendition Index (CRI)	95
Color Temperature	4,500 °K
Spot Size	10mm to 110mm
Operating Time	6 hrs at 100%
Recharge Time	3.75 hrs
Weight of Headlight	290 grams
Weight of Power Pack	190 grams
Headband	Dual Ratchet or Soft Velcro



IsoLED mini

SPECIFICATIONS

Illumination	up to 22,000 Lux at 12"
Color Rendition Index (CRI)	92
Color Temperature	4,500 °K
Spot Size	60 mm @ 12"
Operating Time	10hrs typical at 100%
Recharge Time	3.6 hrs
Weight of Headlight	x3 Variations
Weight of Power Pack	190 grams
Headband Variations	Available

T: 1300 106 003
Dir: 07 3117 9539
E: sales@hmsmedical.com

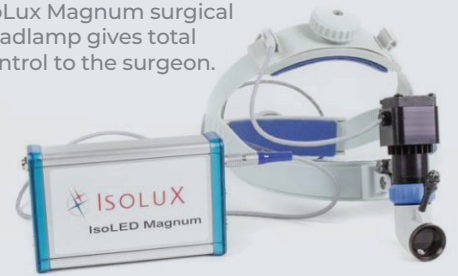


www.hmsmedical.com.au



Experience true freedom and infinite mobility with the Magnum LED Surgical Headlight

IsoLux Magnum surgical headlamp gives total control to the surgeon.



IsoLux Magnum Storage Case



Isolux Magnum LED Headlight

The Best LED Battery Powered Surgical Headlight for every situation

What makes the IsoLux Magnum LED Battery Powered Surgical Headlight the best surgical headlamp system is the ability to adapt to the needs of Neuro, Plastic, Orthopedic, and Thoracic Surgeons. Magnum has been meticulously designed to offer reduced weight, optimal brightness, and color. The blue aperture control on the LED head gear allows for spot size adjustment during medical procedures.

The Magnum battery powered surgical headlight system is a feather weight solution that reduces neck strain caused by heavier headlamp systems. At only 10oz the Magnum is one of the lightest surgical headlight systems available. Trial a Magnum headlamp today to experience the difference.

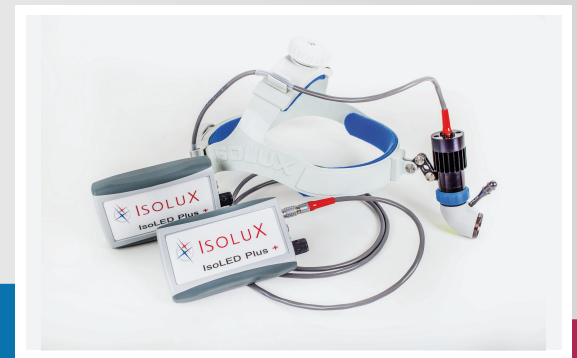
Three LED intensity settings are available on the Magnum 30K Lux, 50K Lux, and 75K Lux. Each Lithium battery can last 9 hours on low, 6 hours on medium, and 3.2 hours on high intensity. Since the Magnum surgical headlamp comes with two Lithium batteries, the total operating time can range from 7 hours to 18 hours.

Isolux Magnum Surgical Headlight Features

- 10mm - 100mm Variable Spot Control
- 10 oz Ultra Comfort Headlight Assembly
- Whisper Quiet LED Cooling Fan to Extend Runtime
- 5000K True Color Temperature
- 30,000 Lux, 50,000 Lux, & 75,000 Lux Intensity Settings

HEADLIGHT SPECIFICATIONS

CRI (Color Rendition Index)	70
Battery and Holster Weight	12oz / 350 grams
Color Temperature	5000°K
Headlamp Weight	10oz / 300 grams
Power Pack Operating Time	3.2hrs @ High
Three Intensity Levels	30K Lux, 50K Lux & 70K Lux, all @12" / 30cm
Power Packs Per System	2
Light Output @ 12"	75K Lux
Joy Stick	Detachable for easy spot movement
Quick Recharge Time	2 hours, for 8 hours of maximum intensity
Operating Time	7 hours or continuous operation at Hi intensity
Headband	Lightweight Comfortable with washable foam inserts
Warranty	5 Years on LED Headlight 1 Year on Battery Pack



IsoLED Plus+ Headlight

A Headlight Built with the Surgeon in mind

The IsoLED Plus+ is a high power surgical LED headlight with a variable spot size of 10mm to 110mm and it is ideal for all surgical procedures and examinations. This medical headlamp provides crisp spot control and an extremely homogeneous light beam. At a CRI rating of 92, the IsoLED Plus+ LED Surgical Headlamp offers true color in critical surgical applications.

The lightweight lithium battery packs (2) offer 4.25 hours of runtime each and can be hot swapped mid surgery to allow for more than 8 hours of operation time. A flashing indicator alerts the surgeon and staff if the surgical headlight lithium battery starts to run low.

Two sterilizable joysticks also come with the IsoLED Plus+ LED Surgical Headlamp to aid in surgeon control and ease of rotation.

Isolux IsoLED Plus+ Portable Surgical LED Headlamp Features

- 10mm - 100mm Variable Spot Control
- Lightweight with 20 years of proven optics
- Up to 4.25 Hours of Runtime per Battery
- CRI more than 90 to give the best tissue rendition
- 45,000 Lux Light Intensity

Isolux Warranty Information

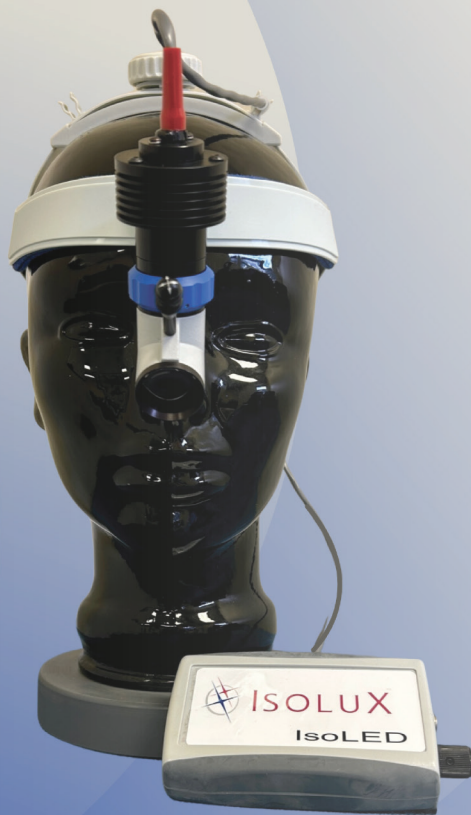
- Five (5) Years on LED Headlight
- One (1) Year on Battery Pack

HEADLIGHT SPECIFICATIONS

Illumination	> 45000 lux @ 30cm
LED Life	> 50,000 hours
Color Temperature	4,500 °K
Color Rendition Index (CRI)	92 Typical
Spot Size	10 to 100 mm @ 400 mm working distance
Intensity Range	20% to 100%
Operating Time	> 4.25 hours per battery at maximum intensity
Normal Recharge Time	3.6 hours
Quick Recharge Time	2 hours, for 3 hours of maximum intensity
Battery Charger	Universal: 100 to 264 VAC, 50 to 60 Hz, 8.4 VDC @ 1.3 A
Weight (Headlight)	290 grams
Weight (Battery Pack)	190 grams
Size (control unit/battery pack)	4.25" x 2.7" x 1.1"



ISOLUX



IsoLED II : Portable LED Headlight

The IsoLED II is a battery operated exam and diagnostic headlight ideal for:

- OB/GYN
- Dermatology
- Oral Maxillofacial
- Veterinary Medicine
- ENT
- Emergency Rooms
- Outpatient Facilities
- Minor Procedures

Clarity: The IsoLED II features a Color Rendition Index (CRI) of 95 which is desirable in color-critical applications such as minor procedures, general medicine, and surgery. This high rating indicates its ability to show the true colors of tissues and skin thereby reducing the time to diagnosis and treatment.

Adjustability: The light beam of the IsoLED II is homogeneous and uniform from edge to edge, and free from imperfections. The spot size is adjustable and without a hot spot, delivering a clean, crisp spot edge without shadows or blurring.

Portability: The IsoLED II features maximum portability allowing unlimited mobility for the doctor as they are no longer restricted by power cords or fiberoptic cables. The lightweight battery pack also has a retention clip for use on a belt or pocket and the rechargeable battery lasts six hours on a single charge at full intensity.

Efficiency: The IsoLED II features a high efficiency design reducing energy consumption and cost of ownership (less than 30% as compared to halogen lamps), thus surpassing Energy Star requirements. Its 50,000 hours of LED life result in a maintenance free device.

SPECIFICATIONS

Illumination	> 25,000 lux @ 30 cm
LED Life	>50,000 hours
Color Temperature	4,500 °K
Color Rendition Index (CRI)	95 Typical
Light Degradation	None
Spot Size	10mm to 100mm at 400mm/16" working distance
Intensity Range	20% to 100%
Operating Time	6 hours typical at maximum intensity
Normal Recharge Time	3.75 hours
Quick Recharge Time	2 hours, for 4 hours of maximum intensity
Headband	Dual ratchet or soft velcro
Weight (headlight)	290 grams (LED, headband, cable and optics)
Weight (battery)	190 grams
Size (control unit / battery pack)	4.25" x 2.7" x 1.1"

IsoLux Warranty Information
Five (5) Years on LED Headlamp
One (1) Year on Battery Pack



T: 1300 106 003
Dir: 07 3117 9539
E: sales@hmsmedical.com.au

www.hmsmedical.com.au



Isolux Headlight / proCam combination improves operative site visibility and video capture



proCam 4K MicroCamera



proCam 4K MicroCamera

World-leading camera to improve your everyday communication and documentation

proCam 4k Headlight Camera - first miniature 4k camera. Features a 13 megapixel sensor that captures both 4k video and high resolution still photos from proCam / headlight combination. The proCam's powerful sensor allows deep, clear magnification. It's easy to capture stable, super high quality video and images any time with no interruptions to the procedure.

All advantages in one camera. Futudent non-interruptive cameras cover most of the demands of documentation: full HD videos and high quality stills (up to 13 mb). Cloud services make it fast and secure to share videos and images to colleagues and clients.

Key Features

- 4k Video Quality
- Live Streaming, Recording and Still Photo
- Headlight or Fixed Mount
- Fixed Focus

Applications

- Clinical Education
- Live Surgical Demonstration
- Virtual Surgical Support

Camera warranty: 2 years standard

CAMERA SPECIFICATIONS

Resolution / Video	4K UHD, 30 fps (video)
Resolution / Still	8 / 13 mpx
Size (w/o lens)	32 x 28 x 23 mm
Weight (body only)	23 grams
Built-in zoom	3x
Strength	UHD video, high resolution, documentation
Connection	USB 2
Lens Options	<ul style="list-style-type: none"> • Standard 16mm • Hi magnification 25mm UHD • Wide angle 12mm and 8mm
Compatible with	Windows, Mac & Android

futudent»
SHARE your CARE

Futudent non-interruptive cameras are designed for taking great still photos and videos. There are dozens of applications for video in today's clinical setting and medical education.



ISOLUX



IsoLED Flex I: Mobile Exam Light

The IsoLED Flex I is a battery powered exam and diagnostic light ideal for use in clinical environments, especially:

- OB/Gyn
- ENT
- Plastic Surgery Practice
- Dermatology
- Family Practice
- Veterinary Practice

Optics: The IsoLED Flex I clinical exam light has a single LED chip delivering 45,000 lux at 300 mm (12 inches). The Flex I has an adjustable iris which allows for precise control of spot size diameter, and a CRI rating of 95 which produces very high color rendition for accurate diagnosis. The use of sharp cutoff optics allows for a well-defined spot with a very small LED halo effect and good depth of field. Intensity can be adjusted from 3% to 100%.

Portability: The Flex I provides portability without the encumbrance of a power cord thanks to its battery pack and five wheel base. It also has a flexible arm (gooseneck) that allows it to be positioned at any angle or proximity from the patient during an examination or medical office procedure. The Flex I can be configured with a wall mount, table rail mount, or with the five-wheel base floor stand.

Battery: With over 10 hours of full intensity, the Flex I offers an all-day solution for a doctor's office or ambulatory medical facility. The Flex I's high efficiency design reduces energy consumption and cost of ownership, while its 50,000 hours of LED life provides for a maintenance free device with an end life of around 20 years. Further, the manufactured design of the Flex I surpasses Energy Star Requirements.

IsoLux Warranty Information
Five (5) years on LED Exam Light
One (1) year on Battery Pack

SPECIFICATIONS

# of LEDs	One Warm White LED
Color Temperature	4000 °K
Color Rendition Index (CRI)	95 Typical
Light Intensity @ 12"	> 45,000 lux
Working Distance	12" to 24"
Spot Size (Iris Control)	½" to 3½"
LEDs Life	> 50,000 Hours
Operating Temperature	10 °C to +50 °C
Electrical Power	14.4 volts Battery Pack (4 x 3.7 cells) rechargeable ion lithium batteries – 3.5 A-Hour capacity
Minimum Operating Time	10 hours of continuous operation at maximum light intensity.
Efficiency	Meets Energy Star Guidelines
Dimming	3% to 100%
Controls	<ul style="list-style-type: none"> • On/Off power switch • Power On green indicator • Brightness Control
Battery Charger, 15.1 watts Universal AC Input (II-2277)	UL certified per IEC 60601-1, 1988, 2nd edition
Weight	12.5 lbs



T: 1300 106 003
Dir: 07 3117 9539
E: sales@hmsmedical.com.au
www.hmsmedical.com.au



Flex I Light and 4K Ultra HD Camera

The IsoLED Flex I is an Exam / Diagnostic lamp ideal for use in the following environments:

- OB/GYN
- DENTAL OFFICE
- FAMILY PRACTICE
- DERMATOLOGY
- EMERGENCY ROOMS
- OUTPATIENT FACILITIES
- URGENT CARE CENTERS

IsoLED Flex I Exam Light

The IsoLED Flex I is a Battery-Operated Exam / Diagnostic Light ideal for use in most specialties requiring versatility and flexibility. Its high-efficiency design is available in mobile, rail, and wall-mount and incorporates an adjustable iris which allows for precise control of spot size diameter. A single charge will last all day while the LED provides about 50,000 hours of life. The flexible gooseneck allows lighting from all angles and perspectives with intensity from 3% to 100%.

FLEX I SPECIFICATIONS

Number of LEDs	One Warm White LED
Color Temperature	4000 °K
CRI (Color Rendition Index)	95 Typical
Light Intensity @ 12"	45,000 lux
Working Distance	12" to 24"
Spot Size (Iris control)	½" to 3½"
LEDs Life	> 50,000 Hours
Operating Temperature	-10 ° C to +50 ° C
Electrical Power	14.4 volts Battery Pack (4 x 3.7 cells) rechargeable ion lithium batteries – 2.6 A-Hour Capacity
Minimum Operating Time	10 hrs of continuous operation at maximum light intensity.
Efficiency	Meets Energy Star Guidelines
Dimming	3 % to 100 %
Controls	<ul style="list-style-type: none"> • On/Off power switch • Power On green indicator • Brightness Control
Weight	12.5 lbs

proCam 4k Camera

The proCam 4k Camera features a 13-megapixel sensor that captures both 4k video and high-resolution still photos. The proCam's powerful sensor allows deep, clear magnification and is easy to capture stable, super high-quality video and images anytime with no interruptions to the procedure.

Futudent non-interruptive cameras cover most of the demands of documentation: full HD videos and high-quality stills (up to 13 mp) which plugs directly into computer/laptop via USB port. Cloud services make it fast and secure to share videos and images to colleagues and clients using any of the standard live streaming services available.

CAMERA SPECIFICATIONS

Resolution / Video	4K UHD, 30 fps (video)
Resolution / Still	8 / 13 mpx
Size (w/o lens)	32 x 28 x 23 mm
Weight (body only)	23 grams
Built-in zoom	3x
Strength	UHD video, high resolution, documentation
Connection	USB 2
Lens Options	<ul style="list-style-type: none"> • Standard 16mm • Hi magnification 25mm UHD • Wide angle 12mm and 8mm
Compatible with	Windows, Mac & Android

T: 1300 106 003

Dir: 07 3117 9539

E: sales@hmsmedical.com.au





IsoLED Flex III: Mobile Exam Light

The IsoLED Flex III is a battery powered clinical exam and diagnostic light ideal for use in most medical environments:

- OB/Gyn
- Family Practice
- Dermatology
- ENT
- Veterinary Practice
- Dental Practice

Optics: The IsoLED Flex III clinical exam light features three LEDs delivering more than 100,000 lux at 30 cm (12 inches), 60,000 lux at 50 cm (20 inches). The Flex III has a spot size diameter of 8 cm (3.2 inches) at 50 cm (20 inches), and a CRI rating of 95 which produces very high color rendition aiding accurate diagnosis. Light intensity is adjustable from 3% to 100%.

Portability: The Flex III provides portability without the encumbrance of a power cord thanks to its battery pack and wheeled base. It also has a flexible arm (gooseneck) that allows it to be positioned at any angle or proximity from the patient during an examination or medical office procedure. If a fixed position is preferred, the Flex III can also be configured with a wall or rail mount bracket.

Battery: With over seven hours of operation at full intensity, the Flex III offers a powerful solution for a doctor's office or ambulatory medical facility at a fraction of the cost of other lighting products. The Flex III's high efficiency design results in reduced energy consumption, cost of ownership, especially compared to halogen, and surpasses Energy Star requirements. Additionally, its 50,000 hours of LED life provides for a maintenance free device with an end life of around 20 years.

SPECIFICATIONS

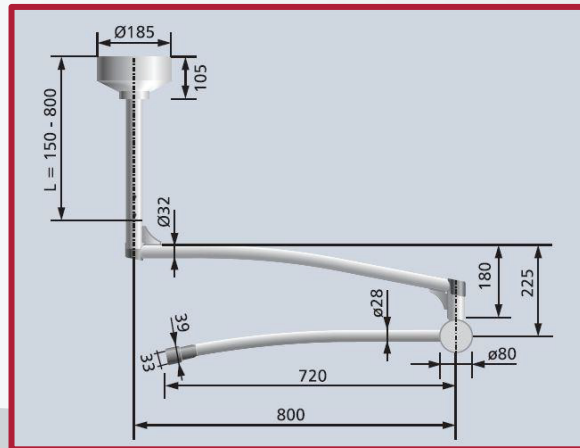
# of LEDs	Three Warm White LEDs
Color Temperature	4000 °K
Color Rendition Index (CRI)	95 Typical
Light Intensity @ 0.5 m	> 60, 000 lux
Working Distance	0.3 m to 1 m
Spot Size (Iris Control)	8 cm @ 0.5 m
LEDs Life	> 50,000 Hours
Operating Temperature	10 °C to +50 °C
Electrical Power	14.8 volts battery pack (4 x 3.7 cells) rechargeable lithium-ion batteries – 3.5 A-Hour capacity
Minimum Operating Time	7 hours
Efficiency	Meets Energy Star Guidelines
Dimming	3% to 100%
Controls	<ul style="list-style-type: none"> • On/Off power switch • Power On green indicator • Brightness Control • Low battery indicator
Battery Charger, 15.1 watts Universal AC Input	UL certified per IEC 60601-1, 1988, 2 nd edition.
Weight	12.9 lbs

IsoLED XII

Color Rendition

Isolux uses the very latest LEDs with a CRI of over 95; this gives perfect skin tones. No need to mix our lights with red leds; clear white every time. No warm up, no color shift no change with the life of the light head.

Ceiling Mount



Economical

Never having to change a bulb for the lifetime of the product means that Isolux's LED is highly economical. XII-LED® is substantially more efficient at producing more surgical quality light for less power

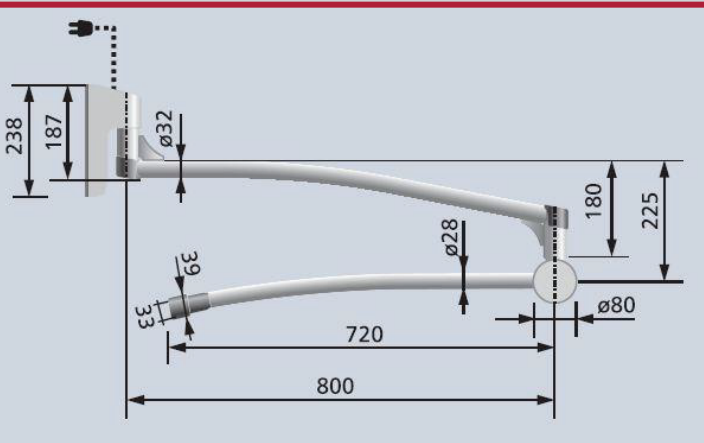
Large Movement Range

Isolux has designed the lamp head so that it can be positioned all the way around the couch to examine all parts of the patient. The 5 rotations allow easy positioning of the lamp beam from any angle. In versions of wall, ceiling or stand mounted

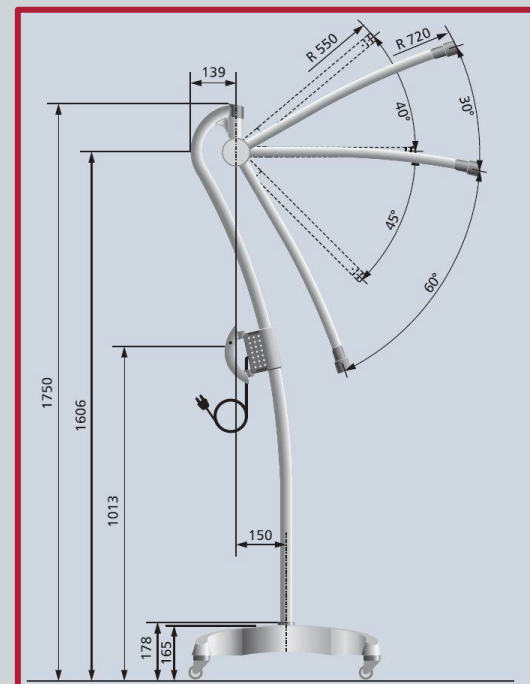
Environmentally Friendly

Isolux's LED uses less than 30 Watts of electricity to produce a 130mm spot at 500mm. LEDs are mercury free, do not contain CFCs, PoPs, VOCs, halogens or other harmful chemicals and are RoHS compliant. The light is also cold so friendly to the patient and operatives; no infra-red and no ultra violet to cope with.

Wall Mount

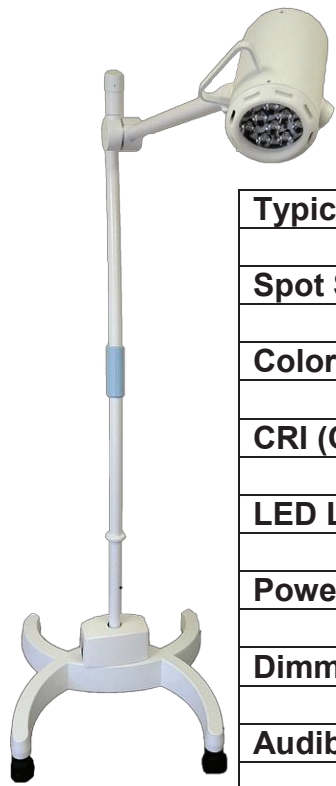


Floor Mount



Long Life

LED life is 50,000 hours which equates to more than 20 years of normal use.



Specifications

Typical Optical Power @ 0.5 meters	125,000 lux
Spot Size	130 mm
Color temperature	4000 °K Typical
CRI (Color Rendition Index)	95 typical
LED Life	50,000 hours
Power Consumption	23 watts
Dimming Range	10 to 100 %
Audible Noise	Very Low
Safety Standards	EN6100-1,-2
Energy Star Compliance	Yes
Operating Temperature Range	- 10 °C to + 50 °C
Storage Temperature Range	- 10 °C to + 70 °C
Relative Humidity	10 to 90 %
Head Rotation	Vert.: ± 40°, Horz.: 345°, Head: 360°





Battery Maintenance Guide

Battery maintenance is important to keep your IsoLux system working to its fullest potential. Below are frequently asked questions we receive with answers so that you can get the longest life and peak performance from your IsoLux batteries. This is a guide for battery maintenance of IsoLux portable headlights only.

Is there anything I should do to prepare a new Battery for use?

Yes, always be sure to apply a topping charge before use.

Can I damage a battery with incorrect use?

Yes. To prevent damage, always keep battery partially charged. A low charge may turn off protection equipment.

Should I apply a full charge?

Full charges aren't necessary. In fact, a partial charge can be as good as a full charge.

Can I interrupt the charge cycle without damaging the battery?

Yes, a partial charge will not cause harm to the battery.

Should I use all battery energy before re-charging?

Deep discharge wears the battery down and reduces its number of charging cycles.

Do I have to worry about battery memory?

No, you do not have to worry about the battery having a memory.

Should I remove the battery from the charger once it is fully charged?

No, this is not necessary as the battery charger will automatically shut off once battery is fully charged.

How do I store my battery?

Store in a cool place with a partial charge.

Will the battery heat up when being charged?

If there is excessive heat while charging the battery may have an issue. Normal charging temps are cool or slightly warm. If you notice excessive heat during a charge cycle, please contact HMS Medical.

How do I charge when it is cold?

It is not recommended to charge battery if it is below freezing.

Can I charge at hot temperatures?

Do not charge above 50 Celsius.

What should I know about chargers?

Battery must stay cool; no trickle charge when ready.

How often should I charge batteries that are stored in packs?

Charge for 10 minutes when not in use every four weeks.

HMS Medical Product Evaluation Form

T: 1300 106 003 E: sales@hmsmedical.com.au



Your Name				
Position / Title				
Facility / Department				
Product / Equipment				
Supplier				

	0 Not acceptable	1 Fair	2 Good / Excellent	Comments
Performance of Product. Does the product do what it claims it to do?				
Ease of Use. Is the product easy to use for users of many skill levels?				
Cleaning. Is the product easy to clean?				
Safety / Manual Handling. Operating manuals or instructions for use?				
Packaging (if appropriate) Clearly labelled?				
Maintenance? Warranty period? Repair costs and timeframes?				

T: 1300 106 003
Dir: 07 3117 9539
F: 07 3036 6625

E: sales@hmsmedical.com.au

www.hmsmedical.com.au

